

WILDERNESS 97-00 TJ JEEP® FRONT BUMPER

General Assembly Drawing

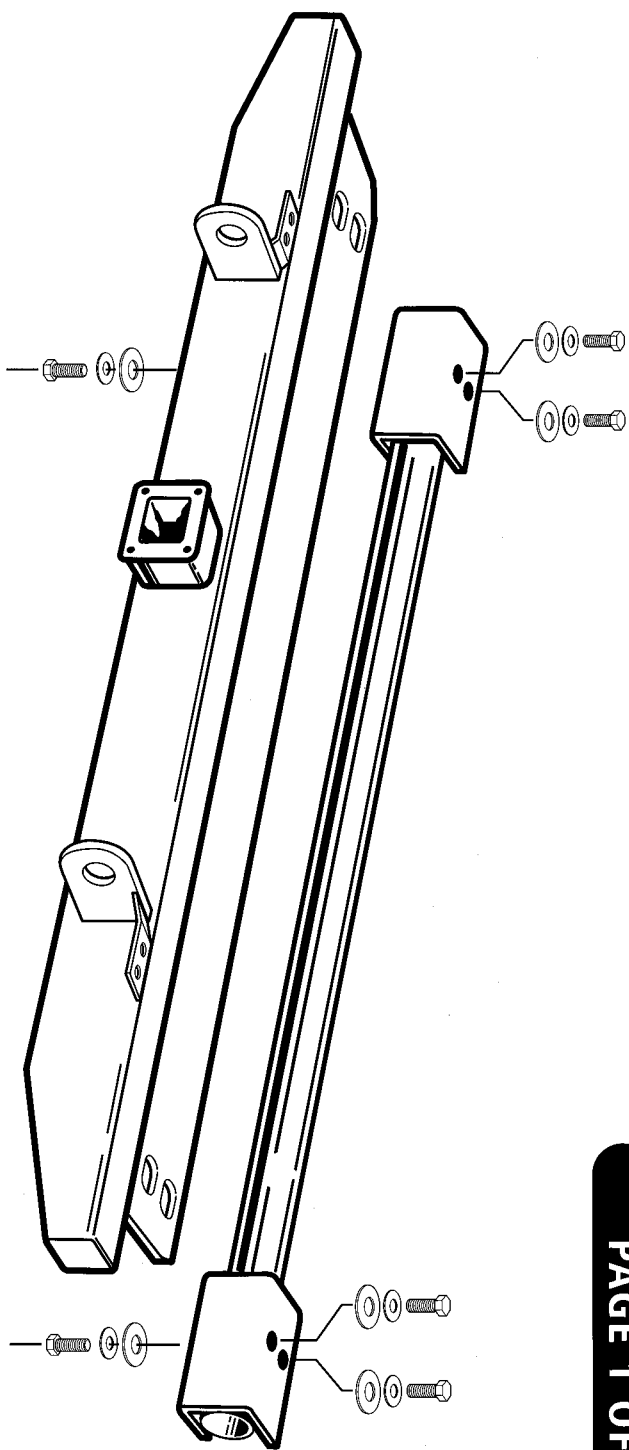
Part No. 34923 54"

Part No. 34922 44"

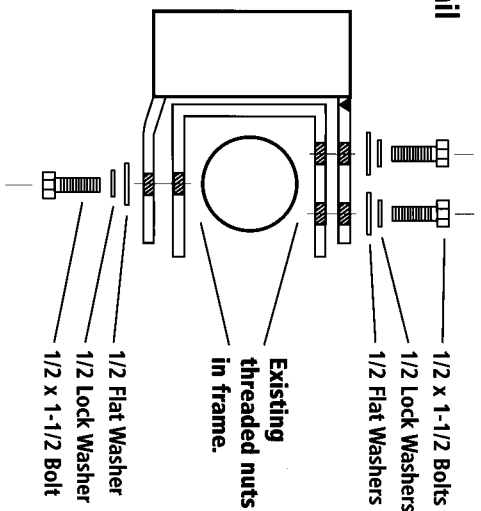


WILDERNESS™
Accessories
MFG. BY GARVIN INDUSTRIES

PAGE 1 OF 1



Side View Detail



- 1 Remove the factory front bumper and install the Wilderness front bumper as shown.
- 2 Tighten top 4 bolts first, then tighten the lower bolts and the tabs will bend up to fit.

HARDWARE LIST

- 6 - 1/2" x 1-1/2" Bolts
- 6 - 1/2" SAE Flat washers
- 6 - 1/2" Lock washers